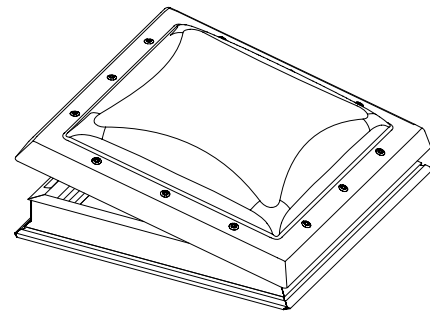
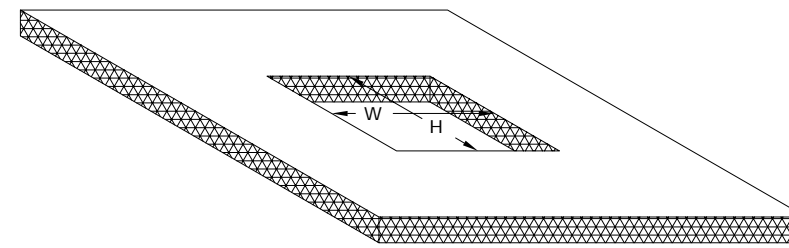


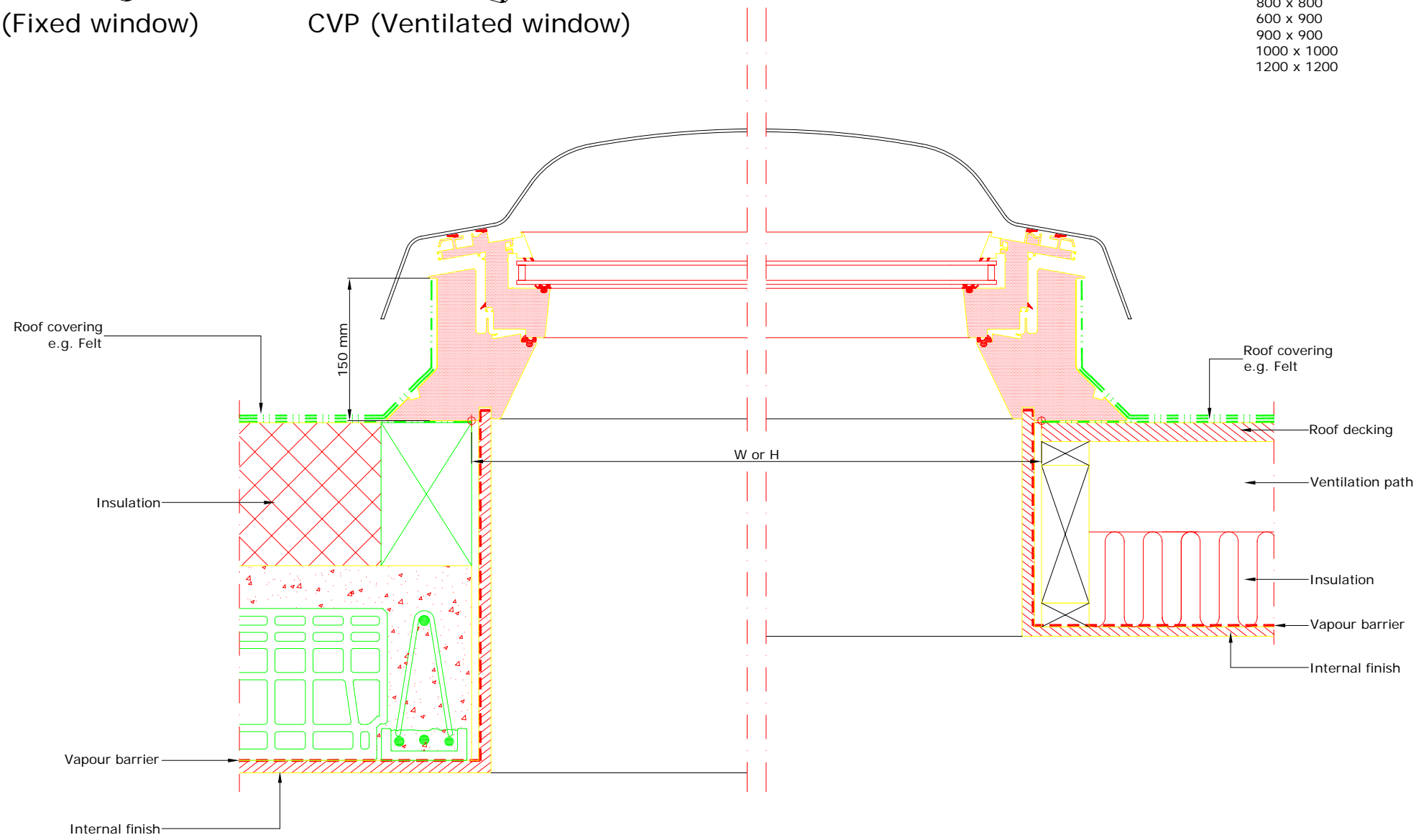
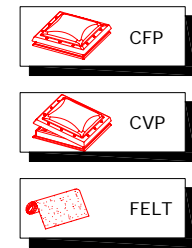
CFP (Fixed window)



CVP (Ventilated window)



Roof opening = (W) x (H)
 600 x 600
 800 x 800
 600 x 900
 900 x 900
 1000 x 1000
 1200 x 1200



For installation of VELUX roof windows it should be ensured that the valid building regulations and requirements of the fire authorities are met.

© VELUX GROUP ® VELUX, VELUX logo are registered trademarks

VELUX	VELUX A/S Product Management Installation support		
	Roof window CFP and CVP. installed into roofing felt. Roof construction concrete and rafters.	Date 11.10.07 All measurement in mm	File name M_000449
SCo VELUX / MARSTER			