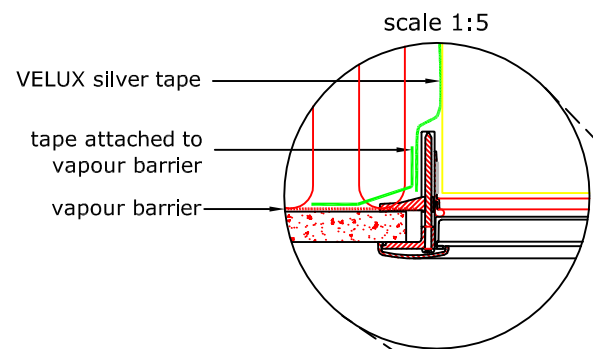


PLAN VIEW

	A mm	B mm	C mm
010"	360-420	380	600
014"	460-520	480	700

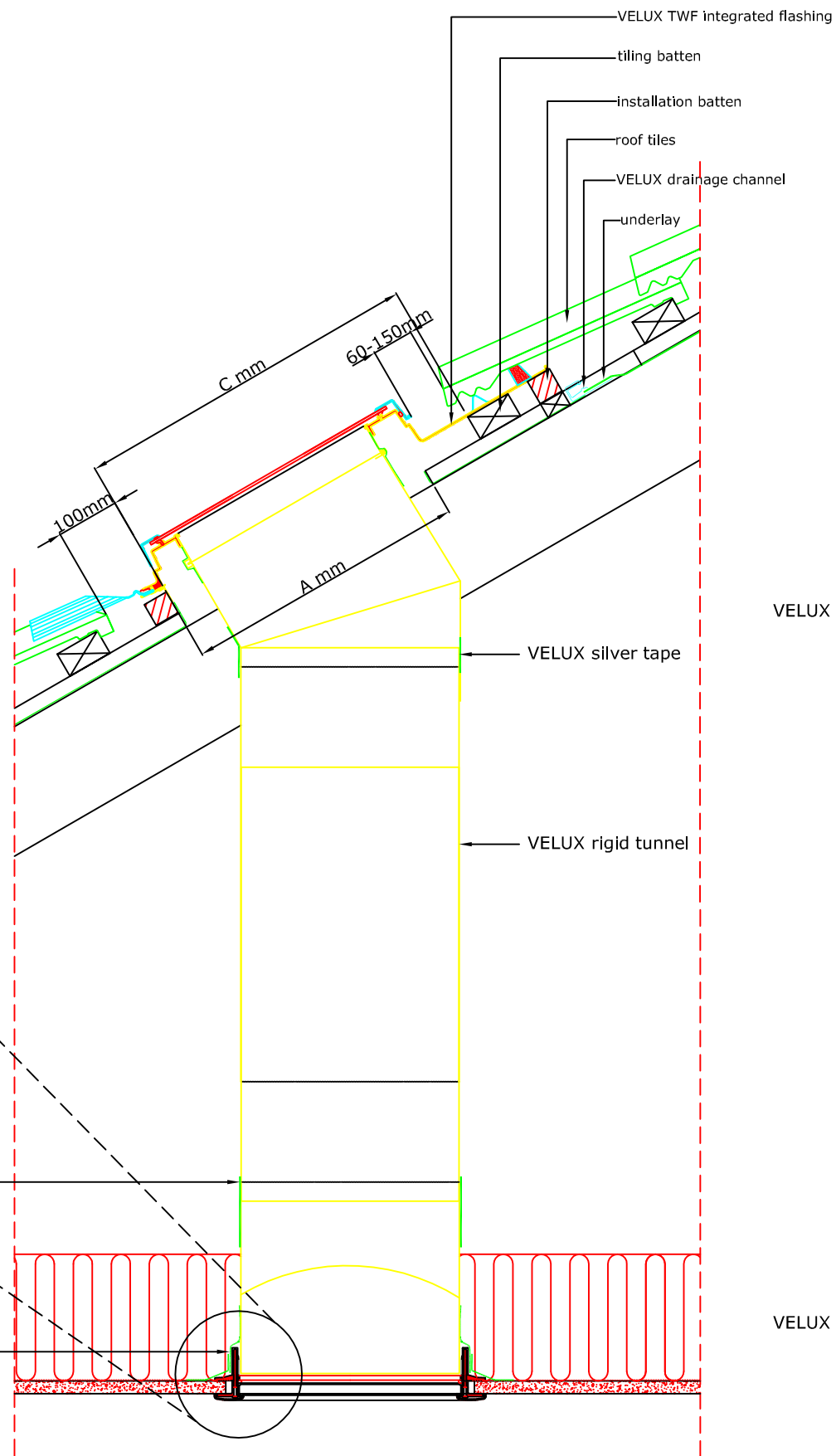
SETTING OUT



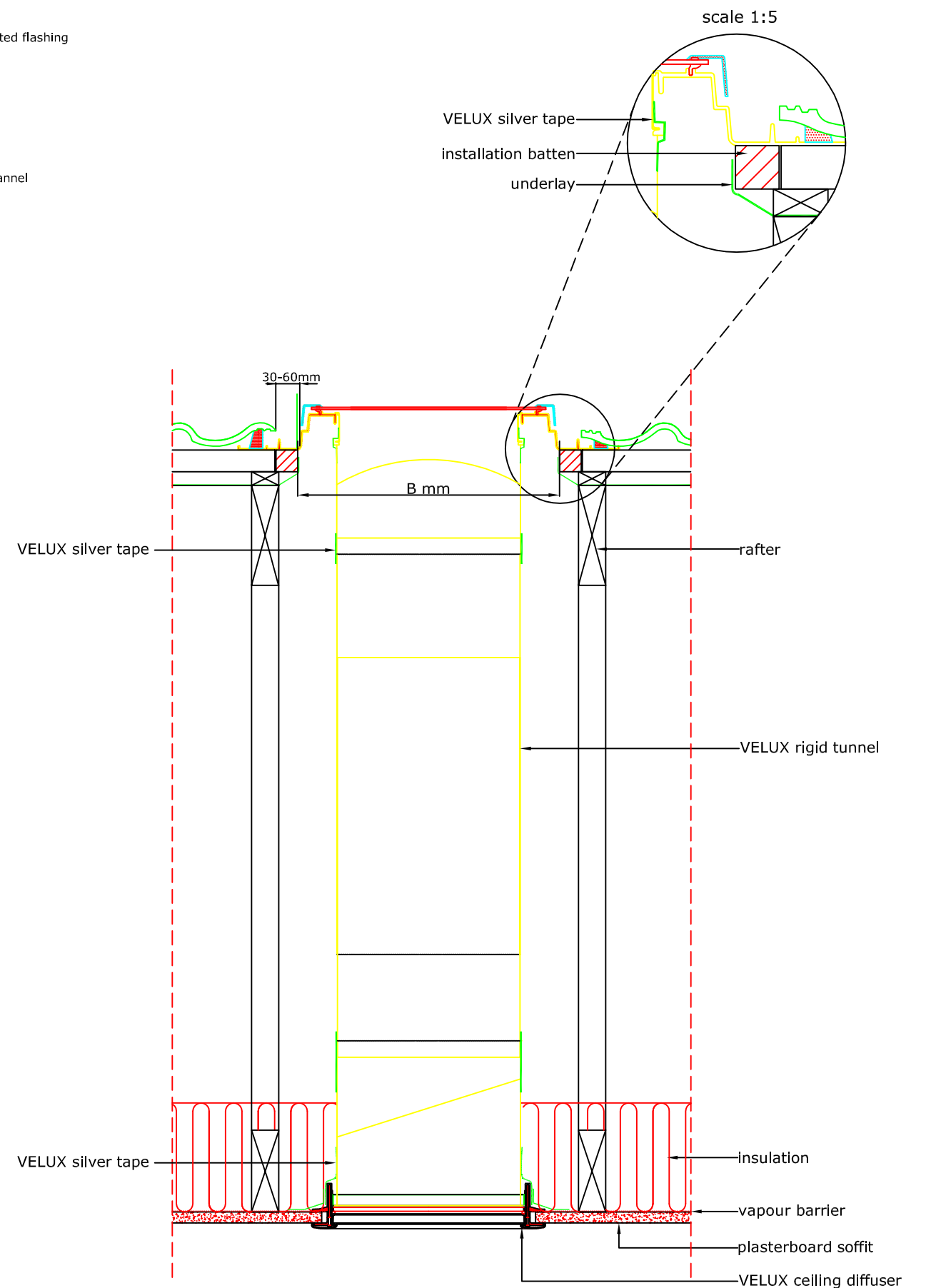
VELUX silver tape
 tape attached to vapour barrier
 vapour barrier

all joints must be sealed with VELUX silver tape.

VELUX silver tape



SECTION A-A





SECTION B-B



VELUX Company Ltd
 Woodside Way
 Glenrothes, Fife KY7 4ND

VELUX Sun Tunnel
Rigid sun tunnel into tile
 consisting of sun tunnel and diffuser assembly
All dimensions are in millimetres where shown

NOTE!
 When installing VELUX Sun Tunnels, please ensure compliance with building regulations and British/European standards where necessary. This detail represents the principles of a typical installation only and the design and specification of the final detail is the responsibility of others.

TWR sun tunnel: 
 Tile: 
 Roof pitch range: 15° to 60°

Date: February 2013
 Rev no: A
 Rev date: 09Jan14
 Drawn: PJH

File name:
TWR-VGB-0213-2002
 Scale: 1:10 approx. @ A3